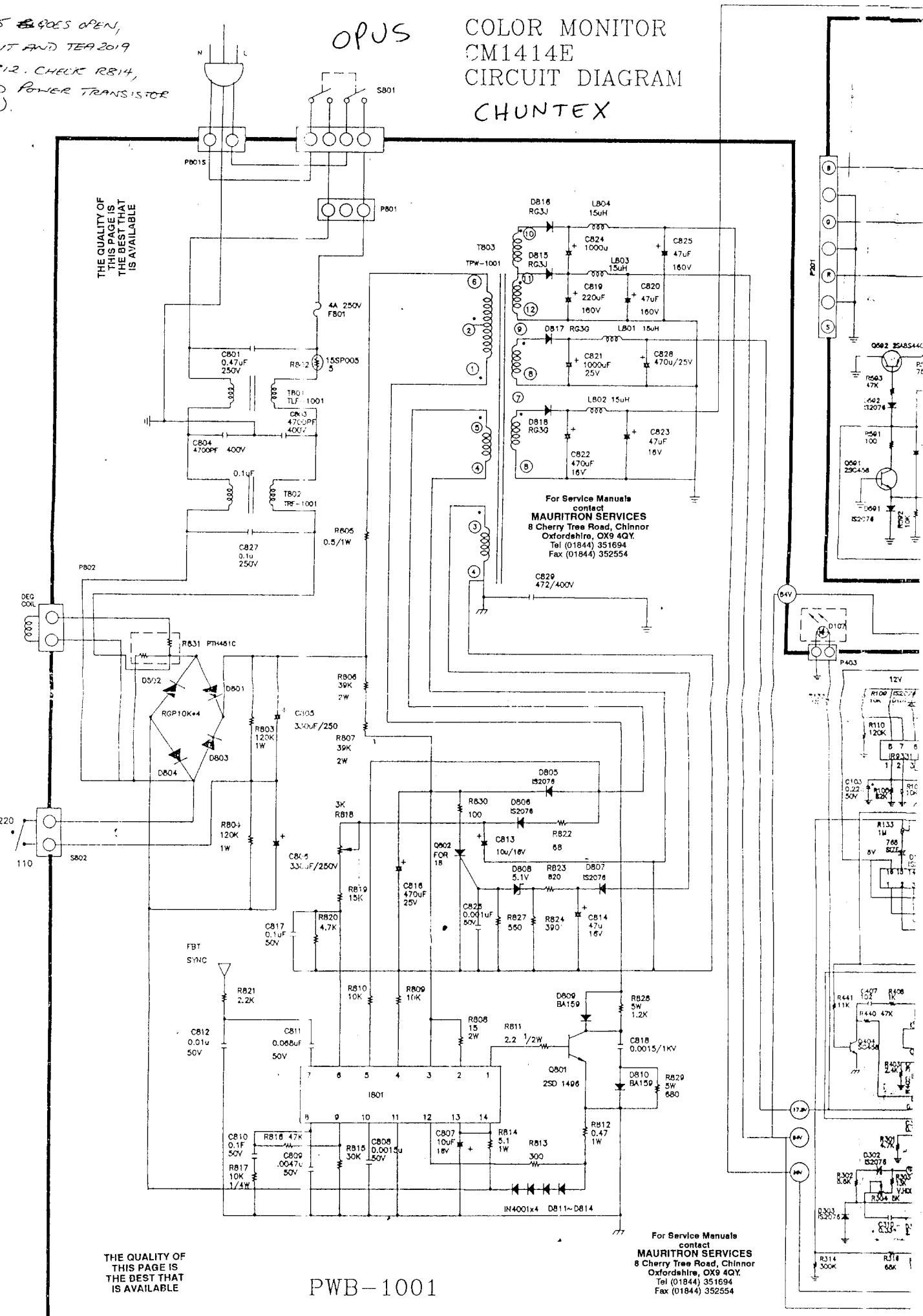


PS GOES OPEN,
IT AND TEA 2019
812. CHECK RB14,
D POWER TRANSISTOR
(E).

OPUS

COLOR MONITOR CM1414E CIRCUIT DIAGRAM CHUNTEX

THE QUALITY OF
THIS PAGE IS
THE BEST THAT
IS AVAILABLE



For Service Manuals
contact
MAURITRON SERVICES
8 Cherry Tree Road, Chinnor
Oxfordshire, OX9 4QY.
Tel (01844) 351694
Fax (01844) 352554

THE QUALITY OF
THIS PAGE IS
THE BEST THAT
IS AVAILABLE

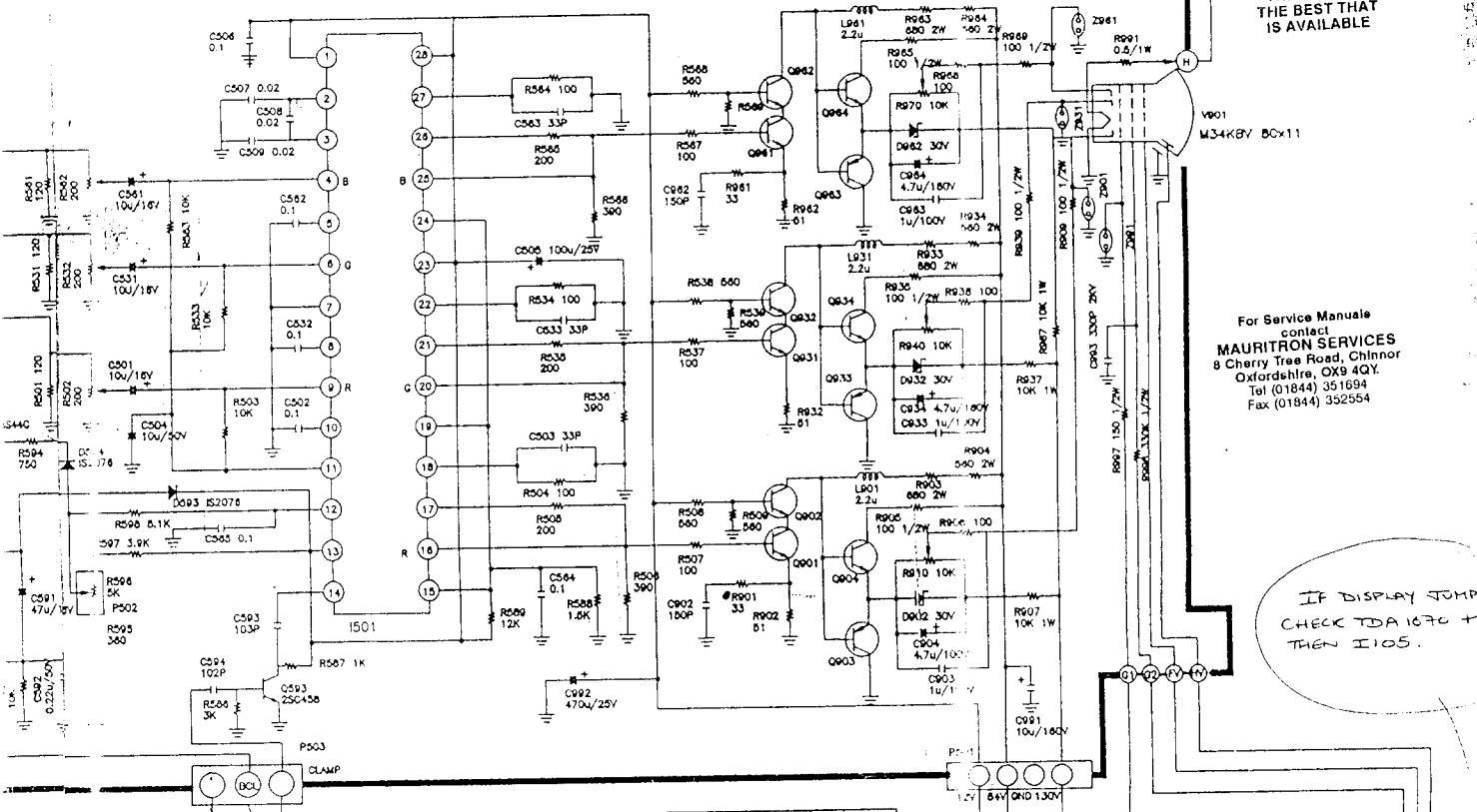
PWB-1001

For Service Manuals
contact
MAURITRON SERVICES
8 Cherry Tree Road, Chinnor
Oxfordshire, OX9 4QY.
Tel (01844) 351694
Fax (01844) 352554

PWB-1002

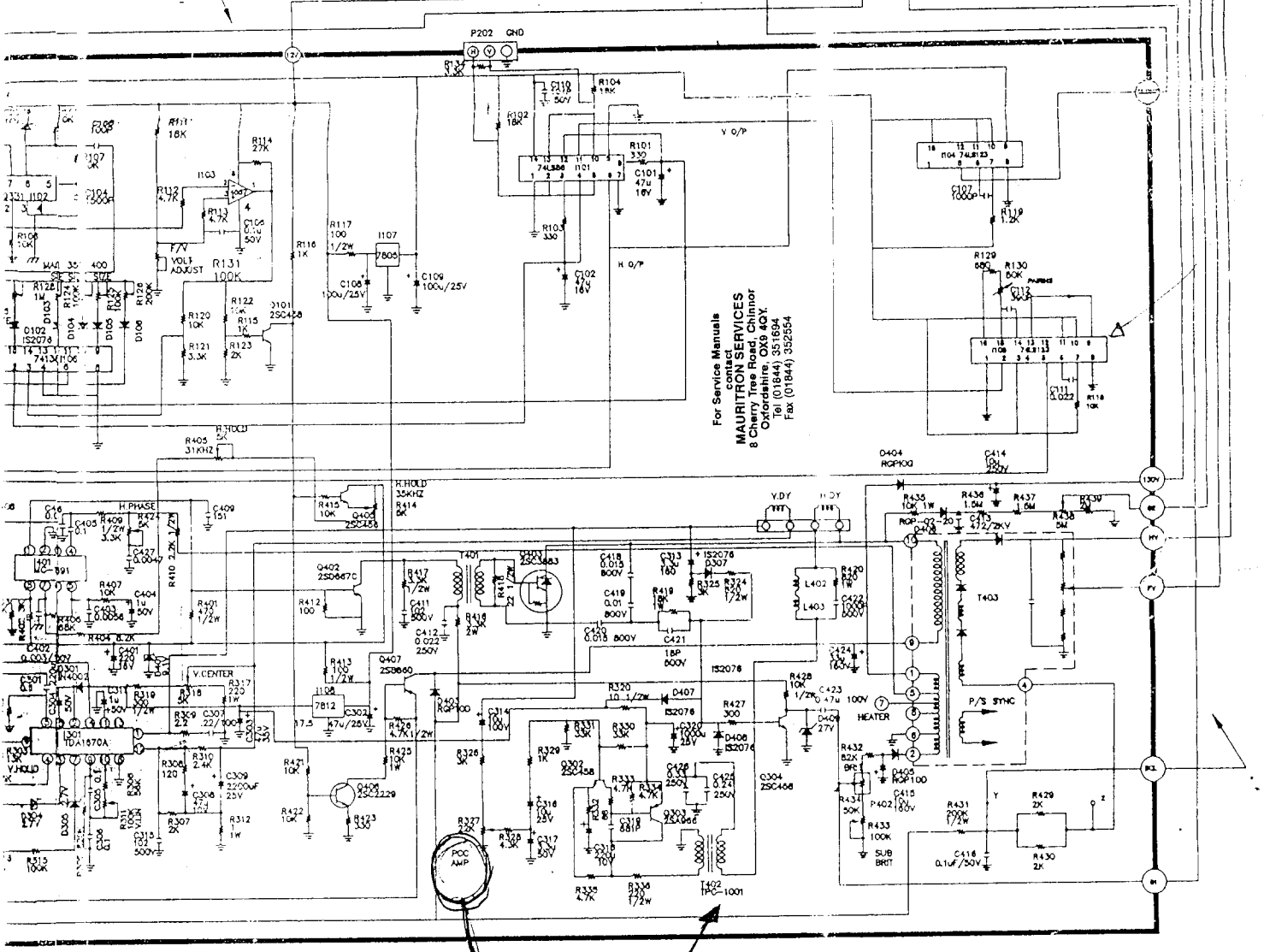
Q901, Q831, Q961 Z5C4387
Q902, Q932, Q962 Z5C4044
Q903, Q833, Q963 Z5B7164D
Q904, Q834, Q964 Z5D7664D

THE QUALITY OF
THIS PAGE IS
THE BEST THAT
IS AVAILABLE



For Service Manual
contact
MAURITRON SERVICES
8 Cherry Tree Road, Chinnor
Oxfordshire, OX9 4QY.
Tel (01844) 351694
Fax (01844) 352554

IF DISPLAY JUMP
CHECK TDA 1070 +
THEN I105.



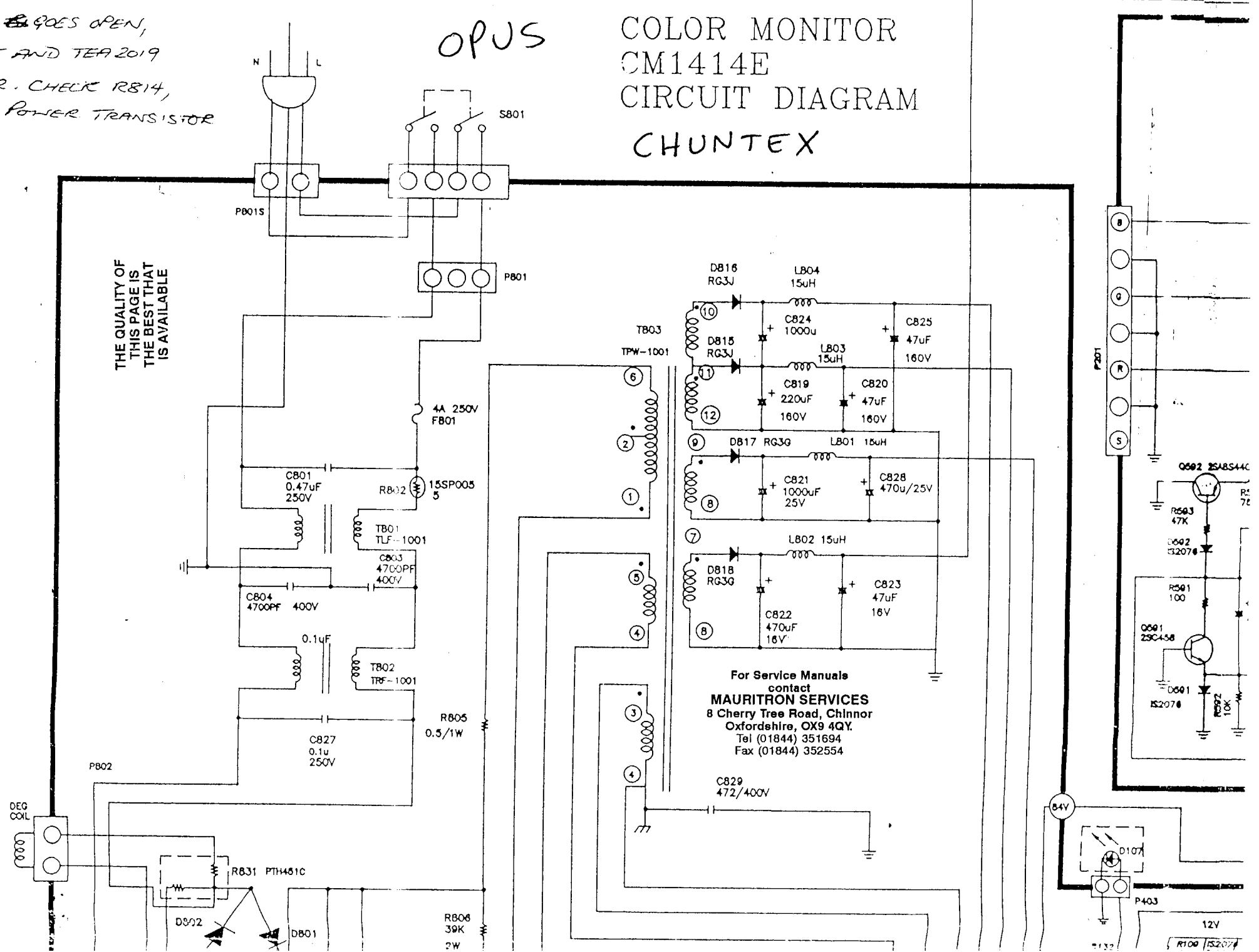
For Service Manuals
contact
MAURITRON SERVICES
8 Cherry Tree Road, Chinnor
Oxfordshire, OX9 4QY.
Tel (01844) 351694
Fax (01844) 352554

1. GOES OPEN,
 AND TEA 2019
 2. CHECK RB14,
 POWER TRANSISTOR

OPUS

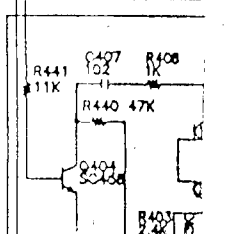
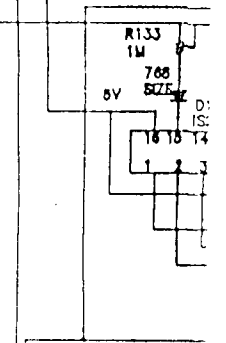
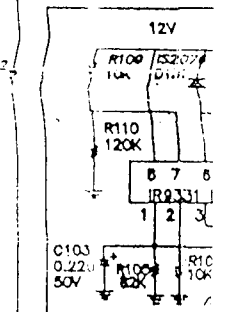
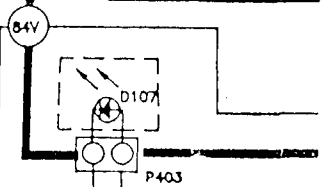
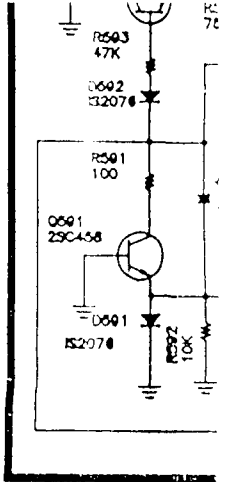
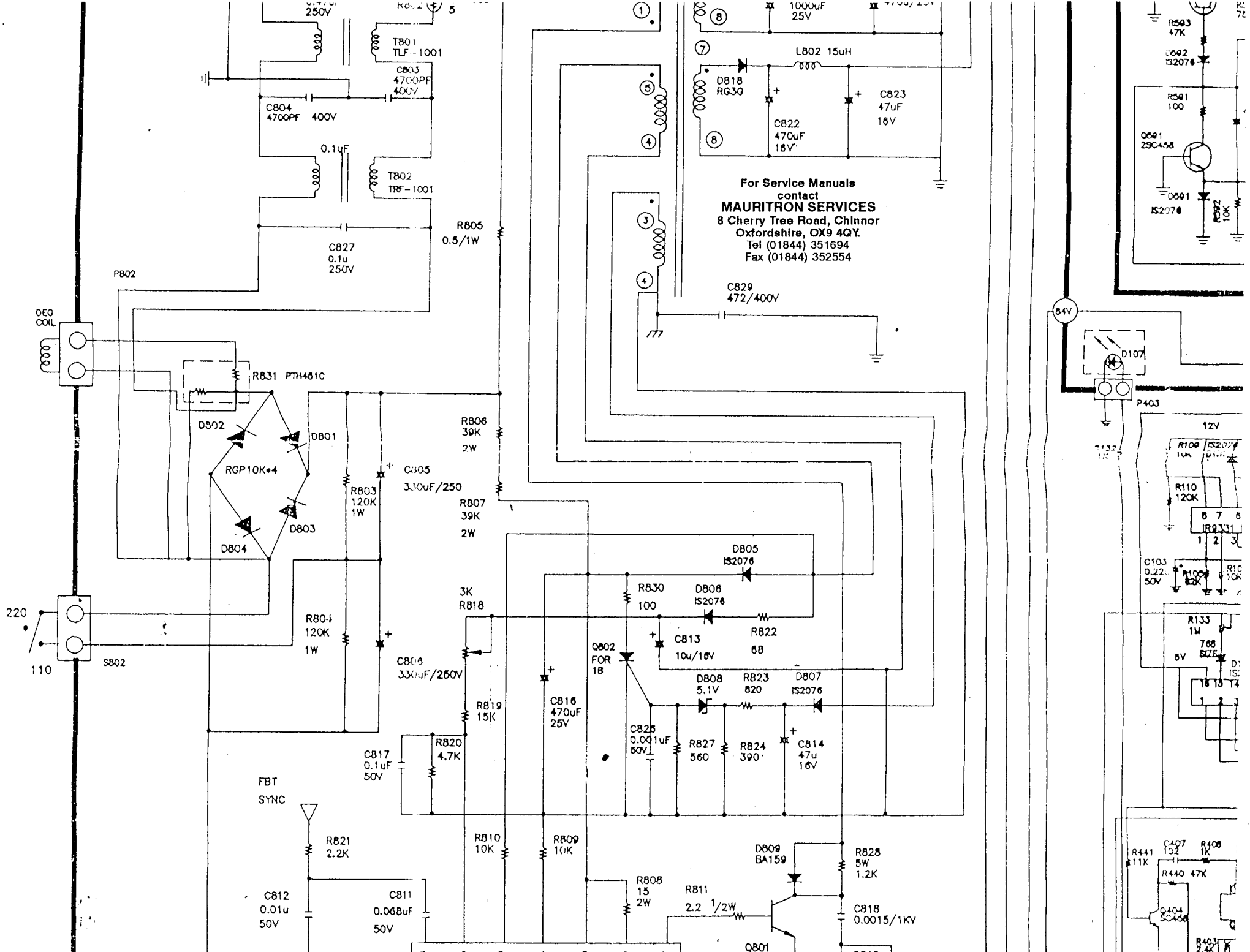
COLOR MONITOR CM1414E CIRCUIT DIAGRAM CHUNTEX

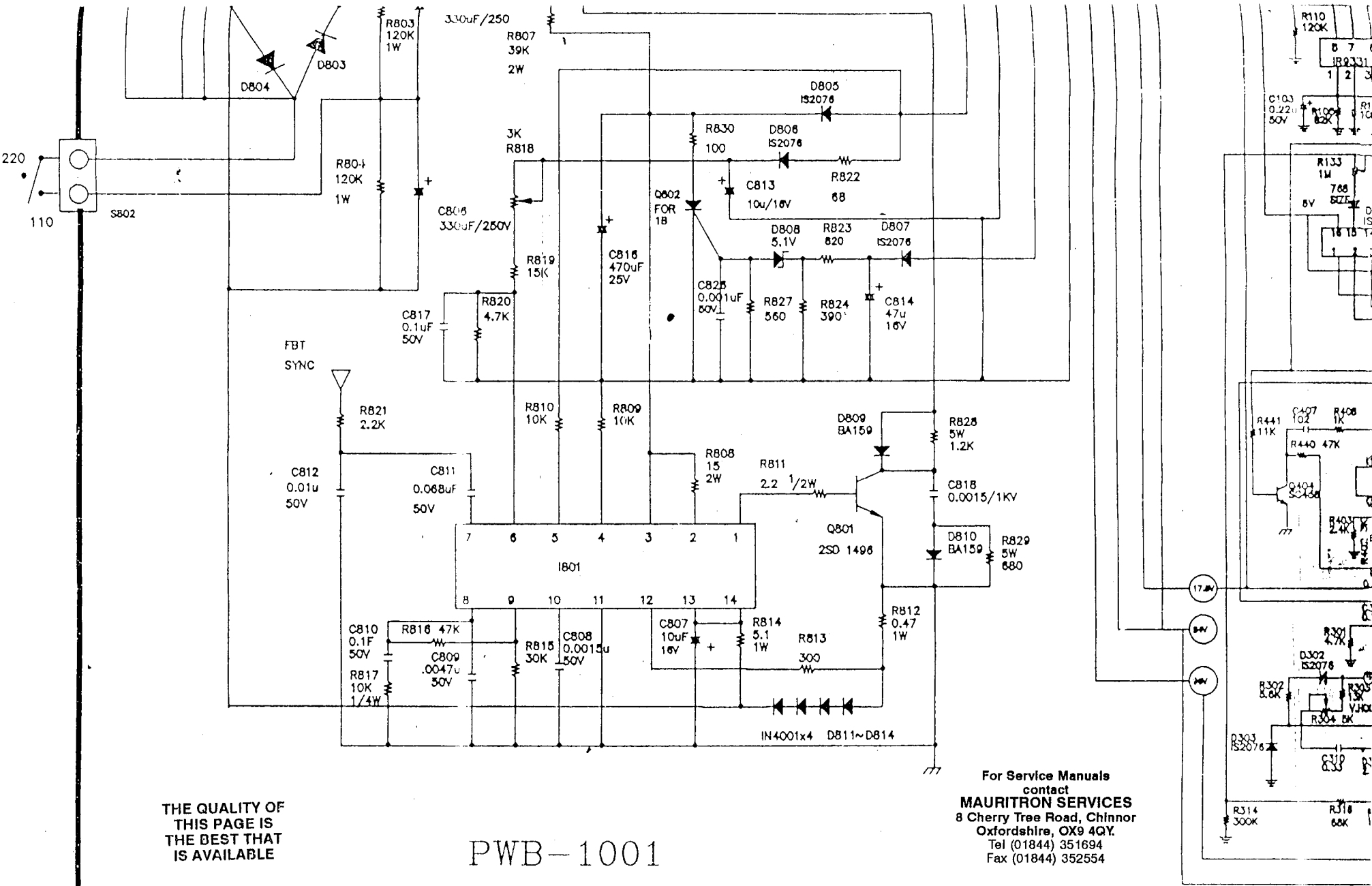
THE QUALITY OF
 THIS PAGE IS
 THE BEST THAT
 IS AVAILABLE



For Service Manuals
 contact
MAURITRON SERVICES
 8 Cherry Tree Road, Chinnor
 Oxfordshire, OX9 4QY.
 Tel (01844) 351694
 Fax (01844) 352554

12V

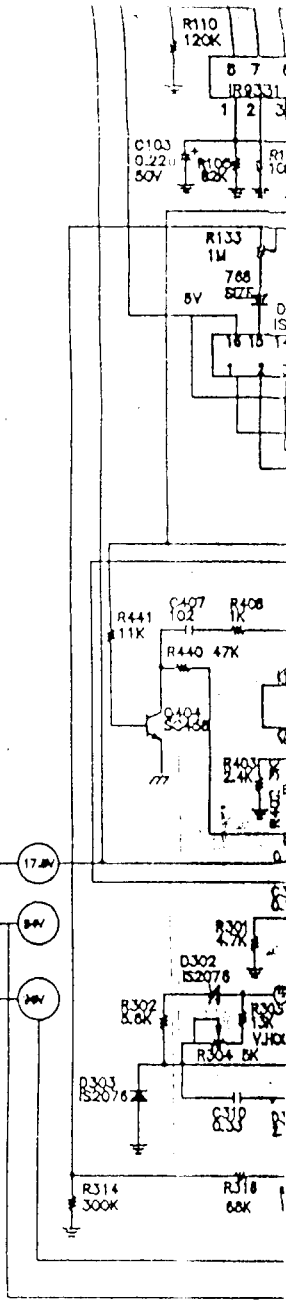




THE QUALITY OF
THIS PAGE IS
THE BEST THAT
IS AVAILABLE

PWB-1001

For Service Manuals
contact
MAURITRON SERVICES
8 Cherry Tree Road, Chinnor
Oxfordshire, OX9 4QY.
Tel (01844) 351694
Fax (01844) 352554

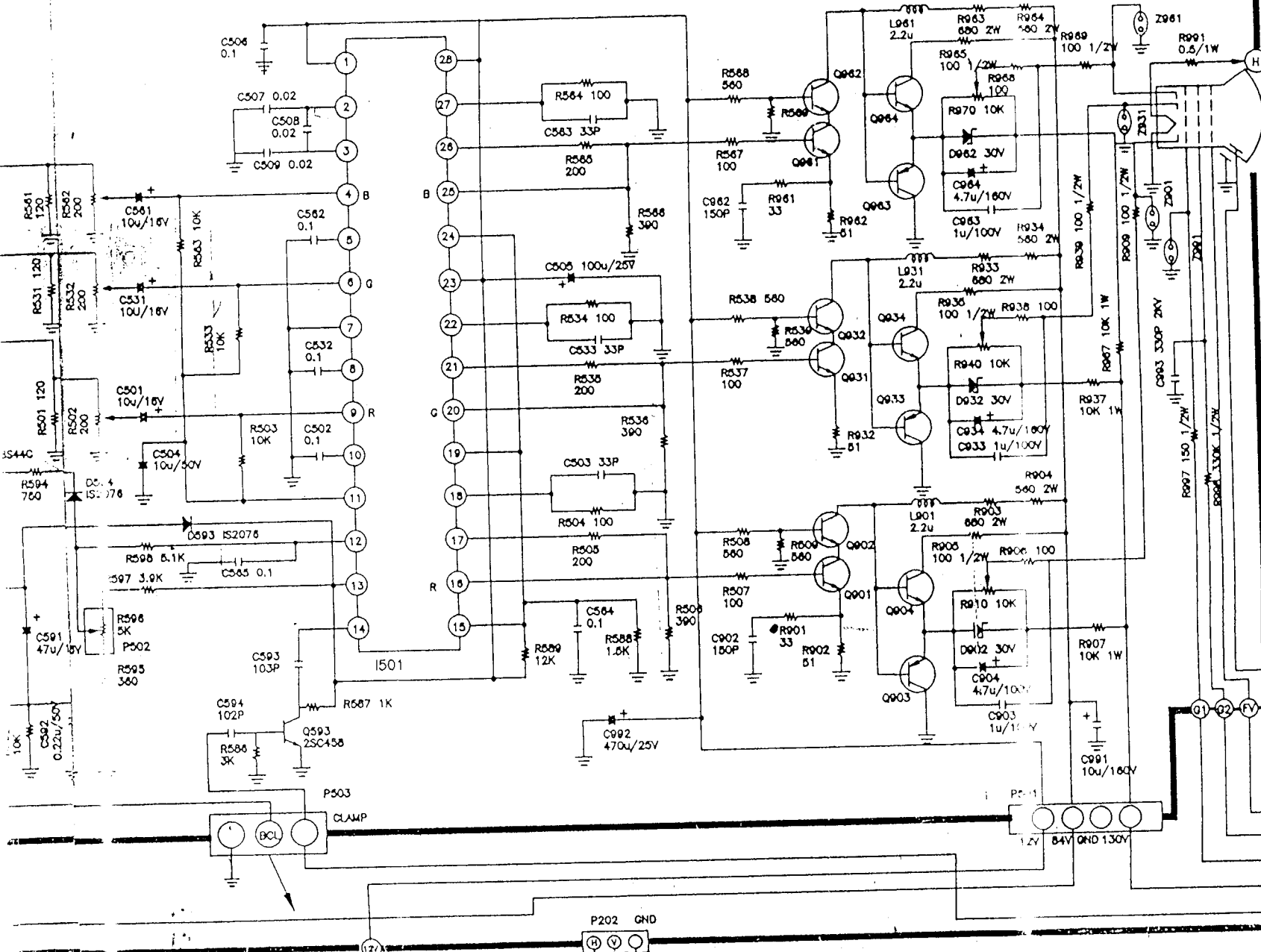


LIGHTON VGH

PWB-1002

- Q901, Q931, Q961: 2SC4367
- Q902, Q932, Q962: 2SC4046
- Q903, Q933, Q963: 2SB718AD
- Q904, Q934, Q964: 2SD756AD

THE QUALITY OF THIS PAGE IS THE BEST THAT IS AVAILABLE



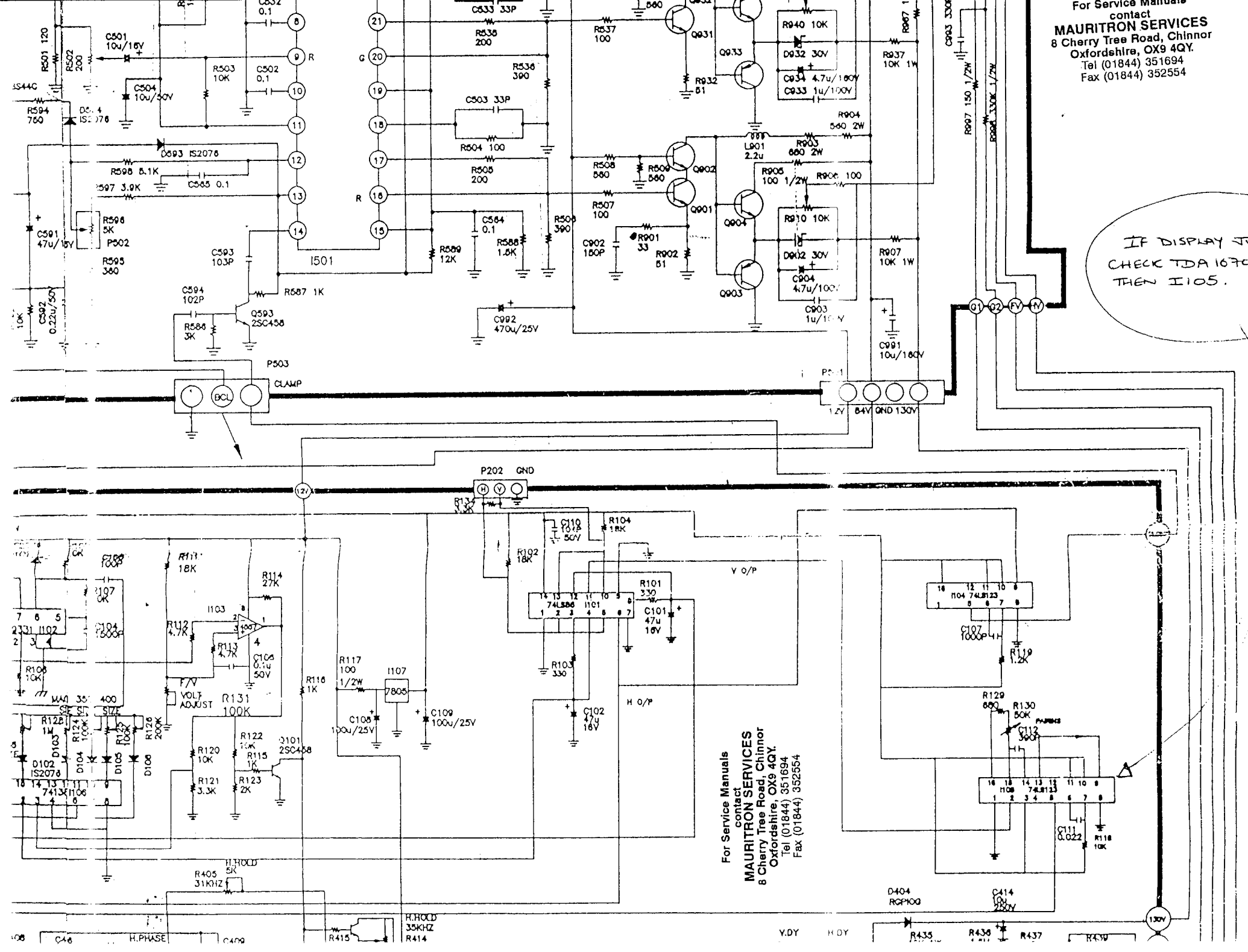
V901
M34KBV 8Cx11

For Service Manuals
contact
MAURITRON SERVICES
8 Cherry Tree Road, Chinnor
Oxfordshire, OX9 4QY.
Tel (01844) 351694
Fax (01844) 352554

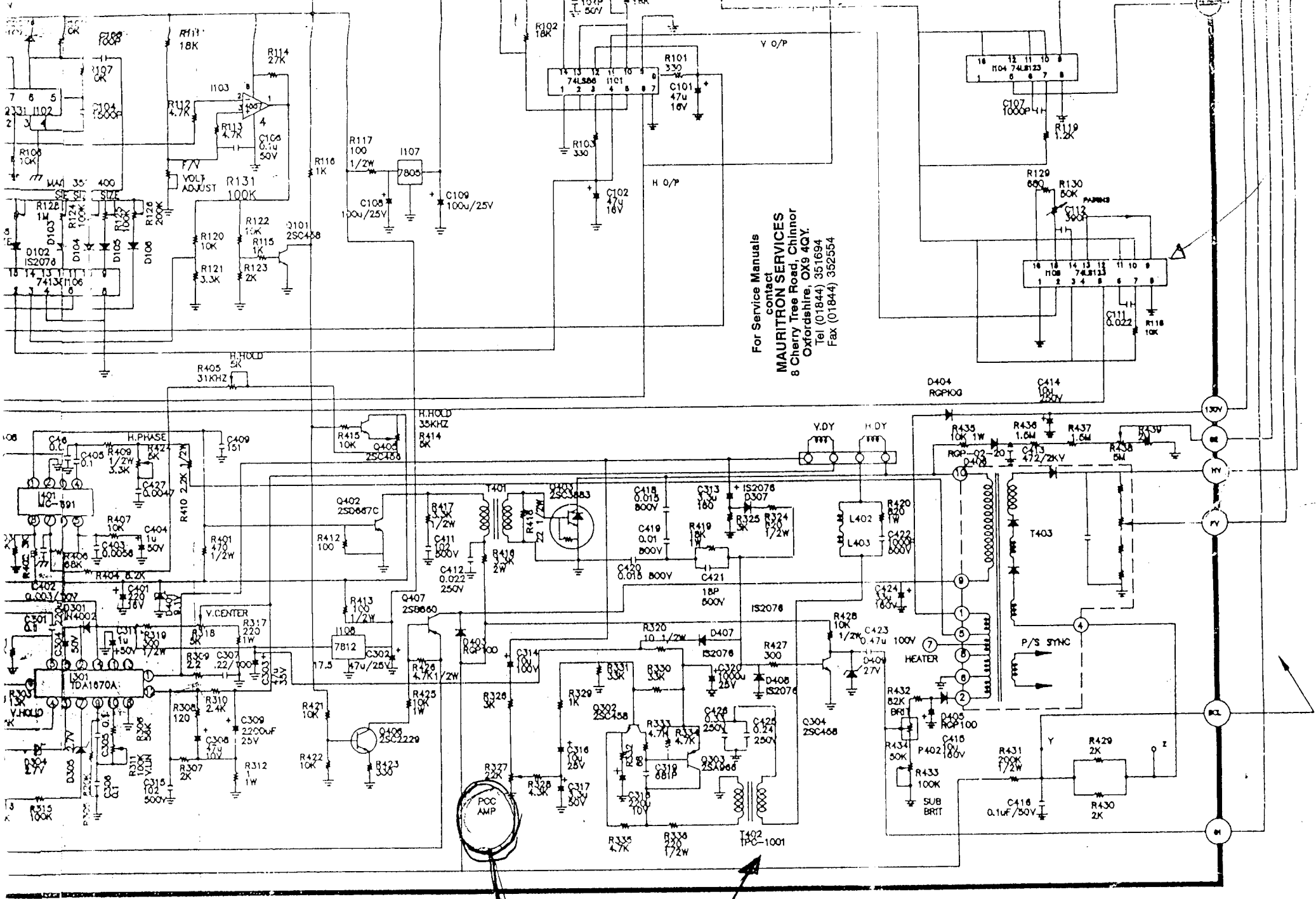
IF DISPLAY TO
CHECK TDA 1670
THEN I105.

For Service Manuals
 contact
MAURITRON SERVICES
 8 Cherry Tree Road, Chinnor
 Oxfordshire, OX9 4QY.
 Tel (01844) 351694
 Fax (01844) 352554

IF DISPLAY JO
 CHECK TDA 1670
 THEN I105.



For Service Manuals
 contact
MAURITRON SERVICES
 8 Cherry Tree Road, Chinnor
 Oxfordshire, OX9 4QY.
 Tel (01844) 351694
 Fax (01844) 352554

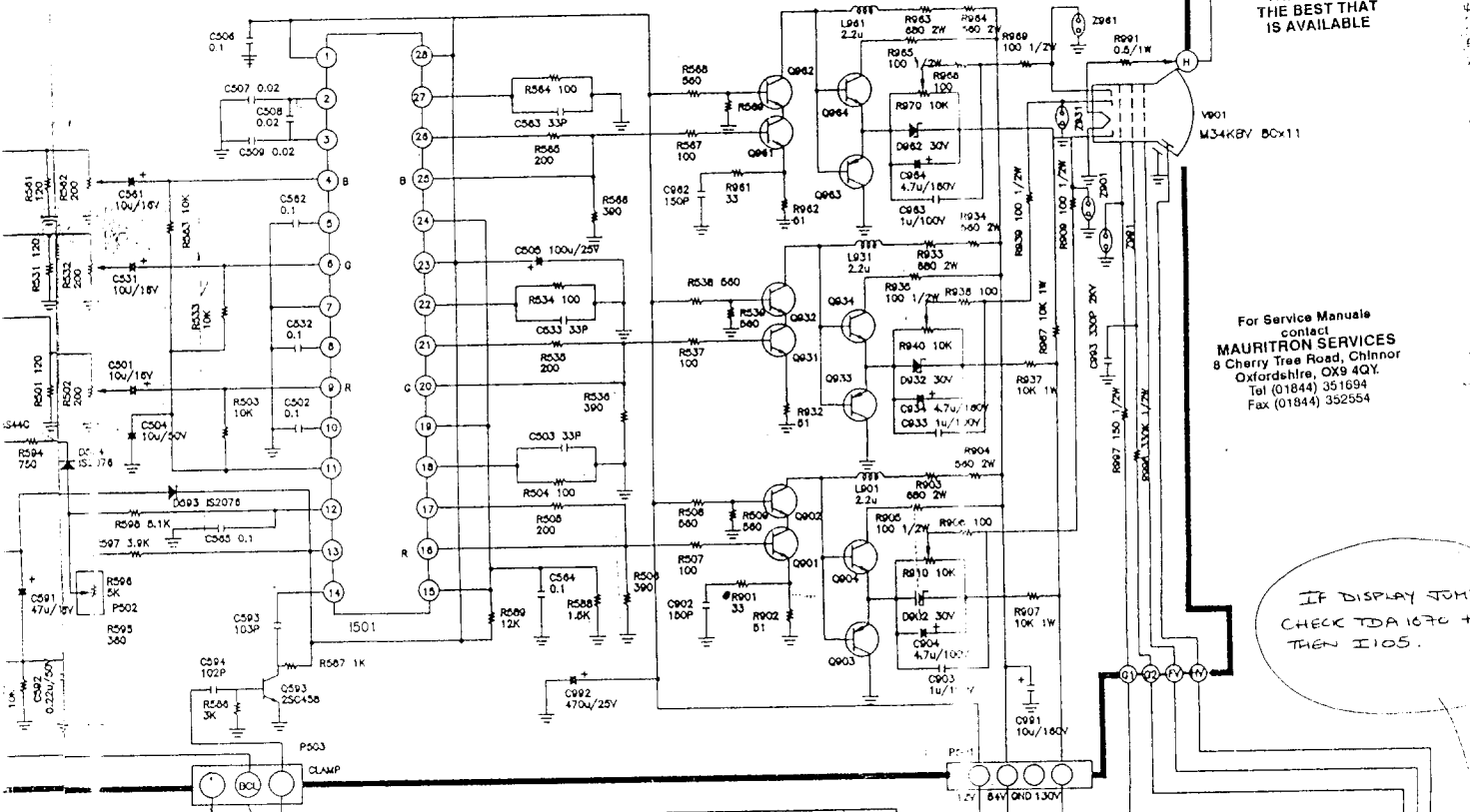


For Service Manuals
 contact
MAURITRON SERVICES
 8 Cherry Tree Road, Chinnor
 Oxfordshire, OX9 4QY
 Tel (01844) 351694
 Fax (01844) 352554

PWB-1002

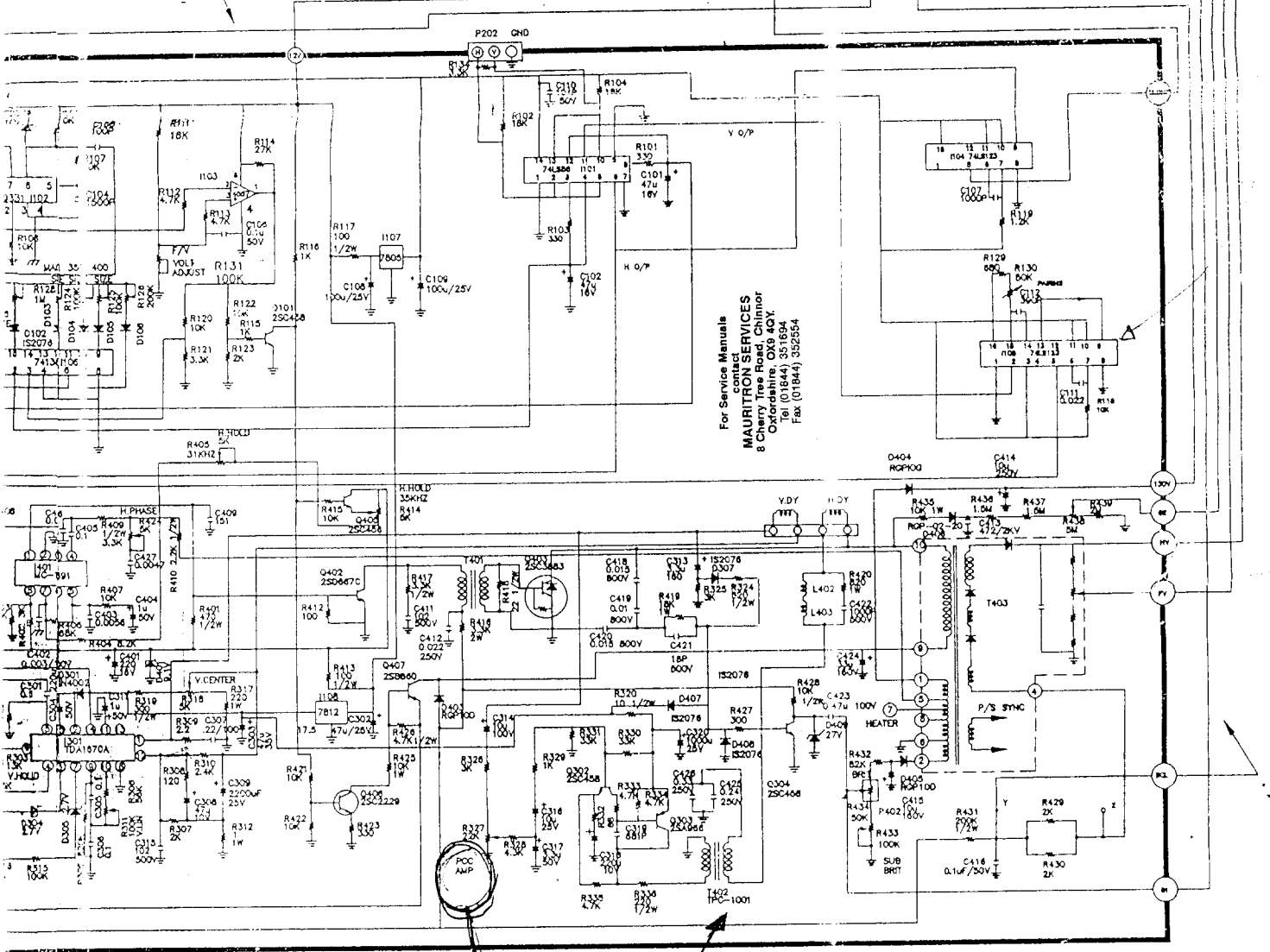
Q901, Q831, Q941 Z5C4387
Q902, Q932, Q942 Z5C4044
Q903, Q833, Q943 Z5B7164D
Q904, Q834, Q944 Z5D7664D

THE QUALITY OF
THIS PAGE IS
THE BEST THAT
IS AVAILABLE



For Service Manual
contact
MAURITRON SERVICES
8 Cherry Tree Road, Chinnor
Oxfordshire, OX9 4QY.
Tel (01844) 351694
Fax (01844) 352554

IF DISPLAY JUMP
CHECK TDA 1070 +
THEN I105.



For Service Manuals
contact
MAURITRON SERVICES
8 Cherry Tree Road, Chinnor
Oxfordshire, OX9 4QY.
Tel (01844) 351694
Fax (01844) 352554